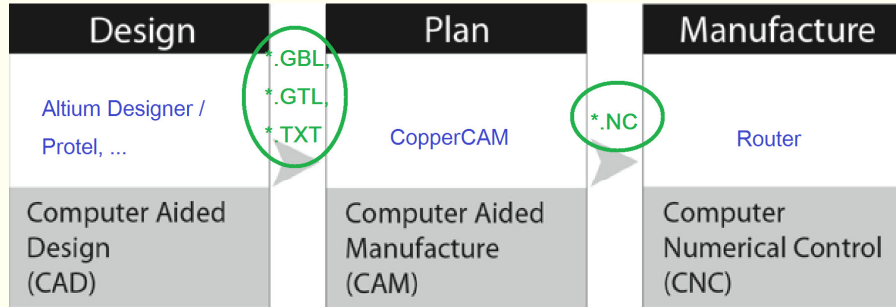




Workflow



22/5/2017

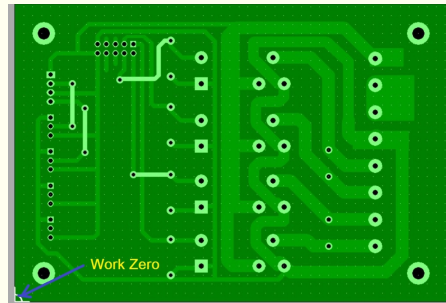
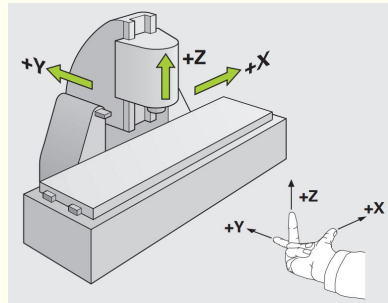
PCB Router - Basic Concept

2



Fundamentals of CNC Router

- Coordinate system:
 - Rectangular or "Cartesian" coordinate system



- Program zero-point, also called work zero
 - Lower left-hand-corner of PCB

22/5/2017

PCB Router - Basic Concept

3

