



DMSF PLC Appreciation

18 July 2019

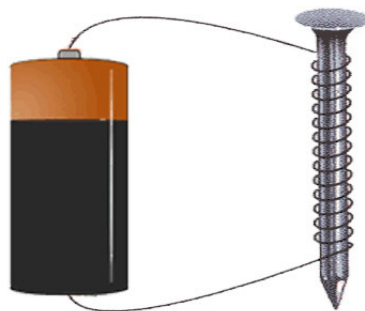
2019/07/18

DMSF - PLC Appreciation

1



Electromagnet



2019/07/18

DMSF - PLC Appreciation

2





Switch



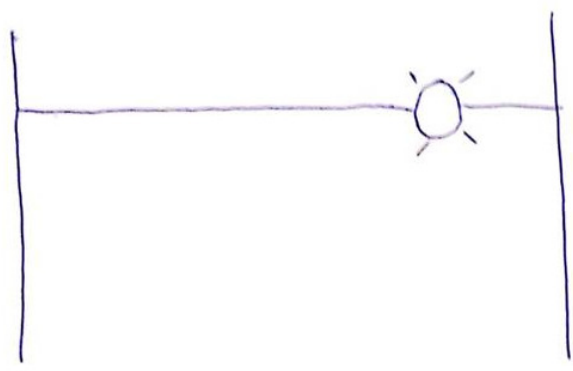
2019/07/18

DMSF - PLC Appreciation

3



Switch



2019/07/18

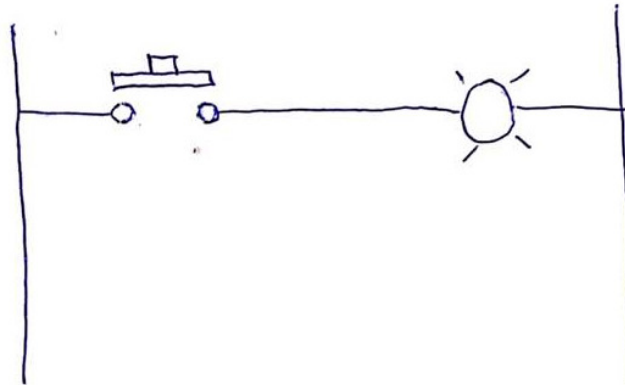
DMSF - PLC Appreciation

4





Switch



2019/07/18

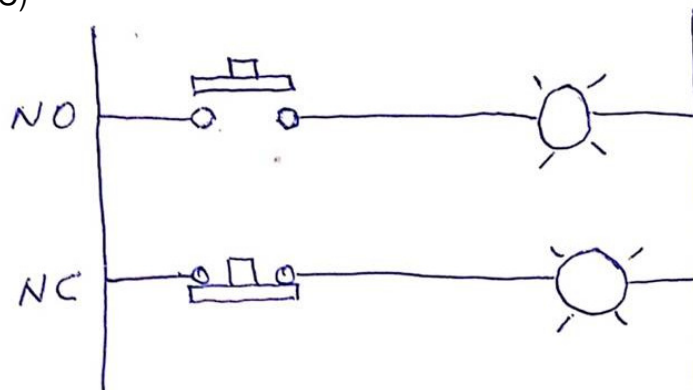
DMSF - PLC Appreciation

5



Switch

- Normal Open (NO)
- Normal Close (NC)



2019/07/18

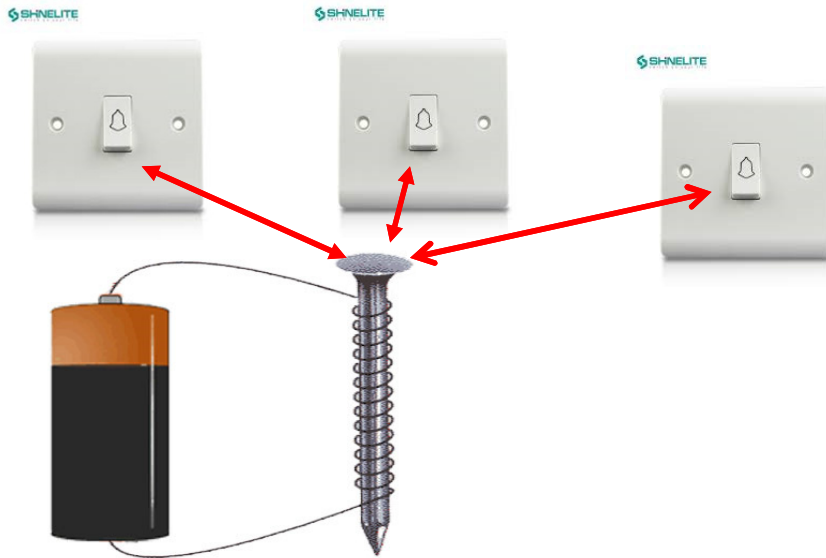
DMSF - PLC Appreciation

6





Relay



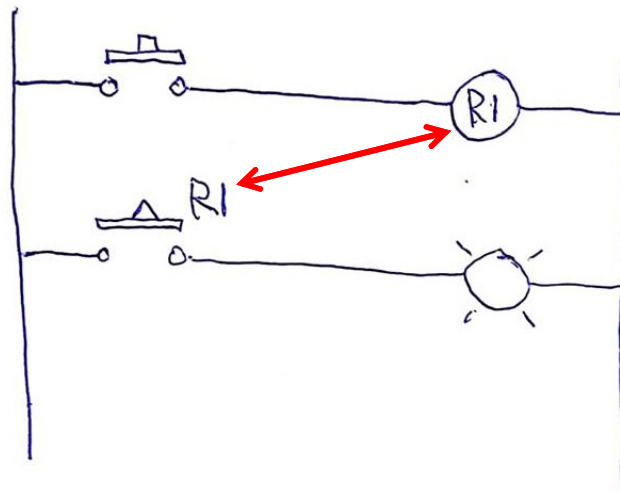
2019/07/18

DMSF - PLC Appreciation

7



Relay



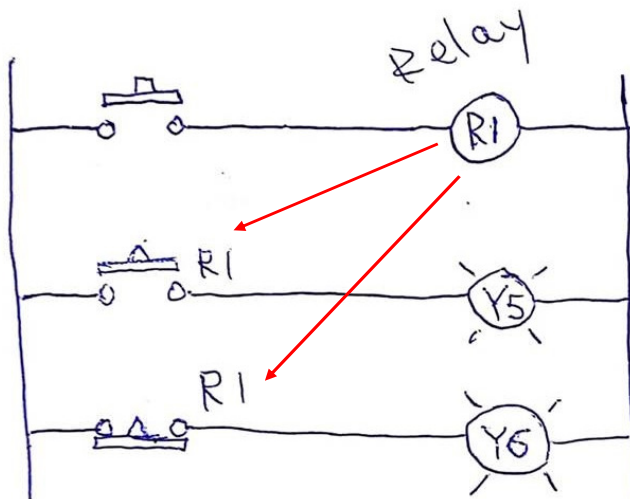
2019/07/18

DMSF - PLC Appreciation

8



Relay with NC and NO contact



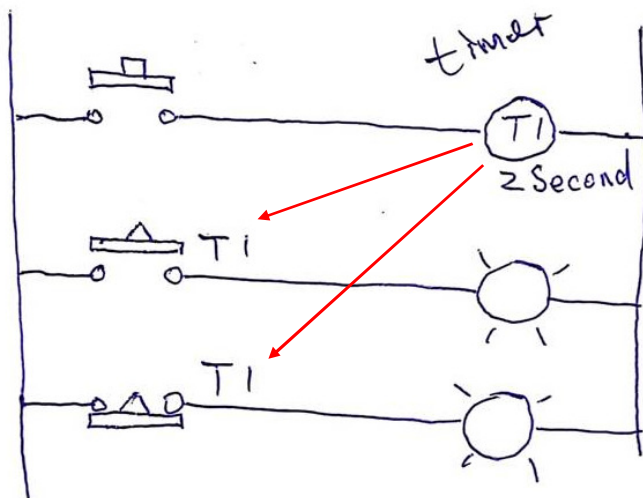
2019/07/18

DMSF - PLC Appreciation

9



Timer



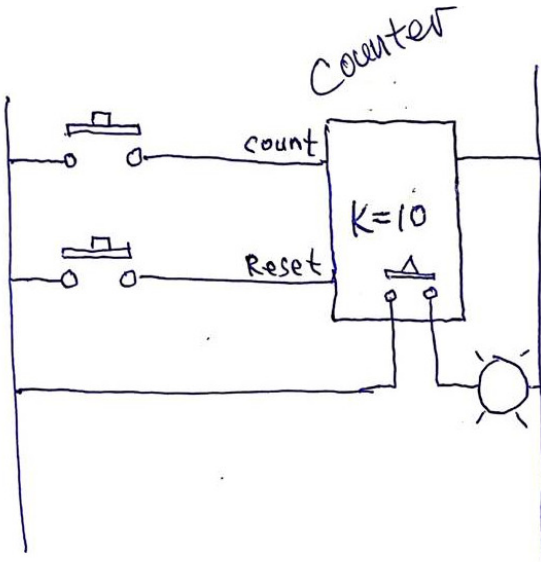
2019/07/18

DMSF - PLC Appreciation

10



Counter



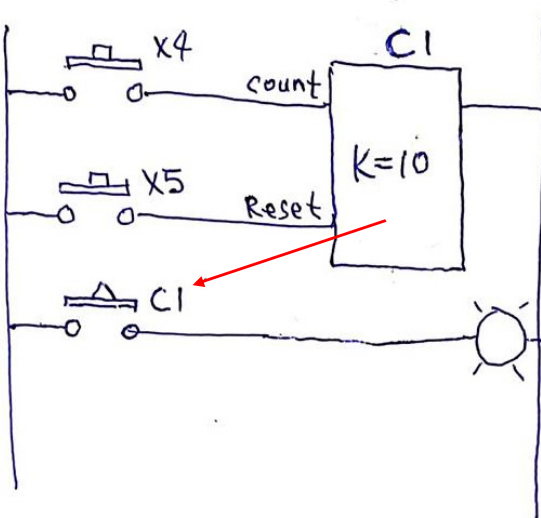
2019/07/18

DMSF - PLC Appreciation

11



Counter



2019/07/18

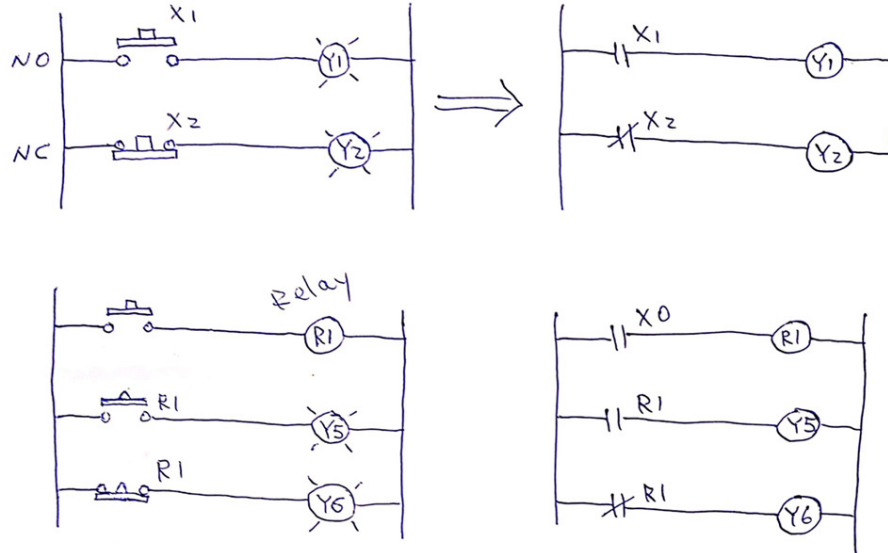
DMSF - PLC Appreciation

12





Schematic Symbol



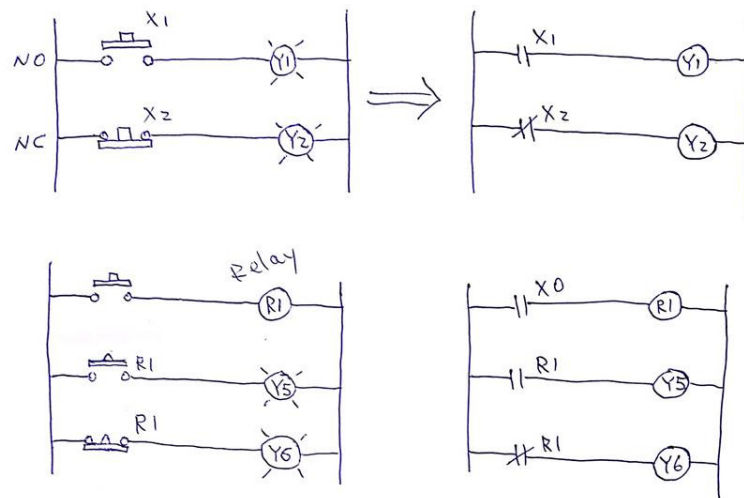
2019/07/18

DMSF - PLC Appreciation

13



Schematic Symbol



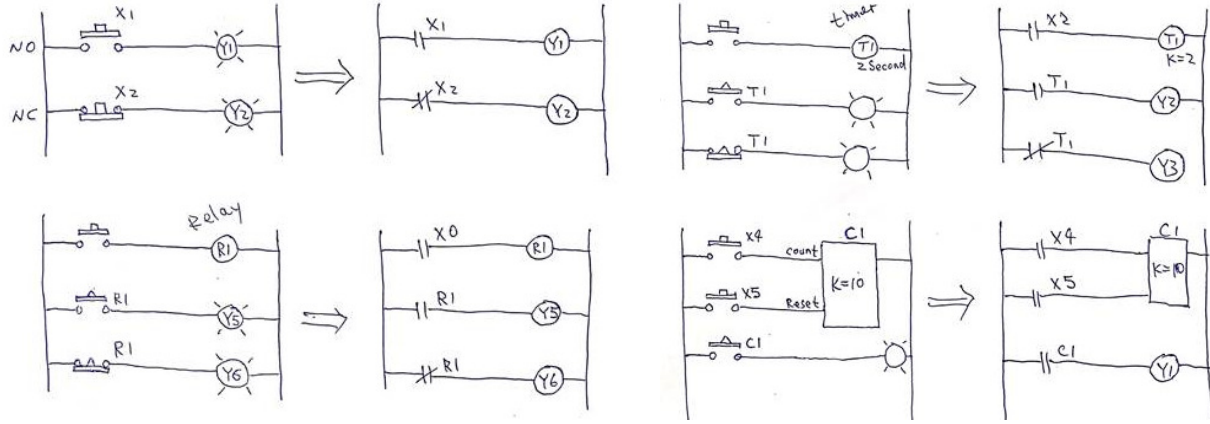
2019/07/18

DMSF - PLC Appreciation

14



Schematic Symbol



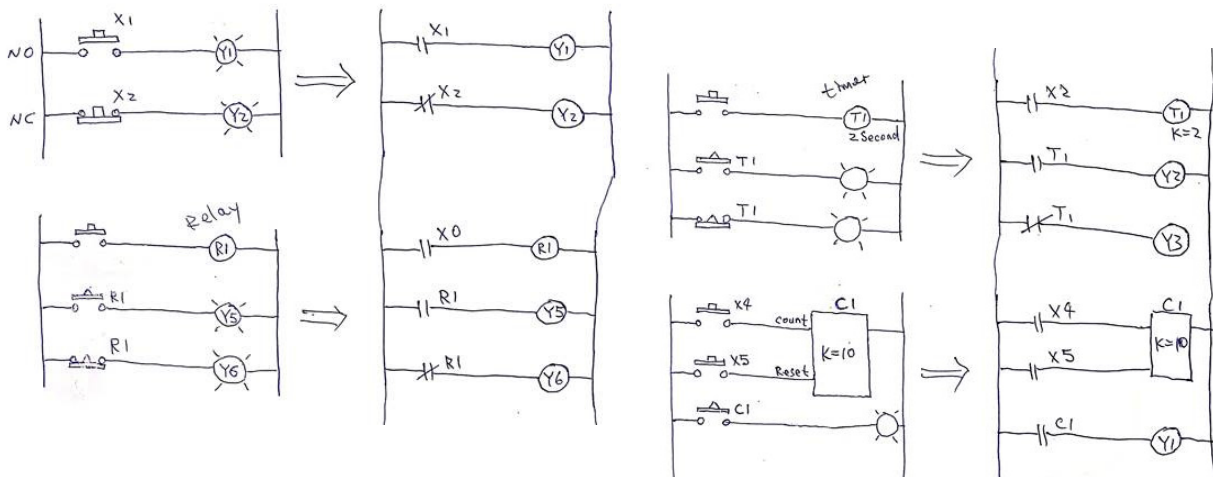
2019/07/18

DMSF - PLC Appreciation

15



Ladder Diagram



2019/07/18

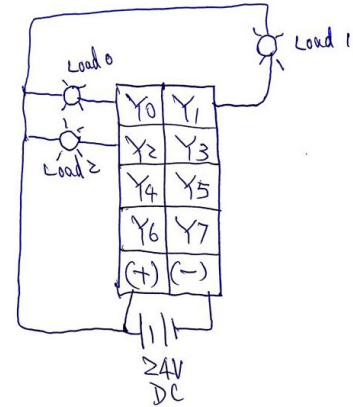
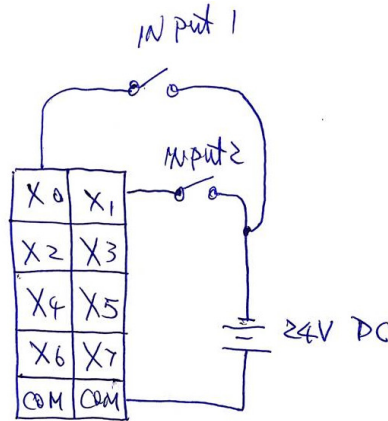
DMSF - PLC Appreciation

16





Input/Output - Pin assignment



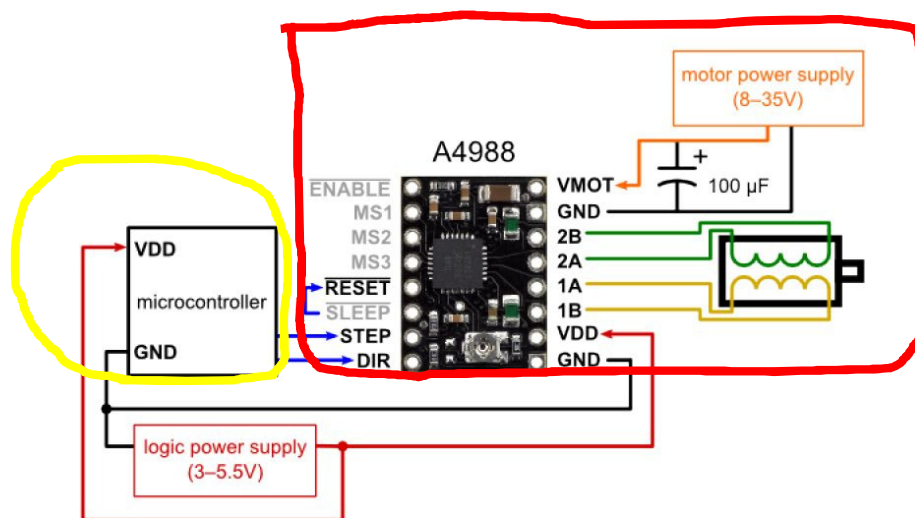
2019/07/18

DMSF - PLC Appreciation

17



Input/Output - Pin assignment



2019/07/18

DMSF - PLC Appreciation

18



Input/Output - Pin assignment

